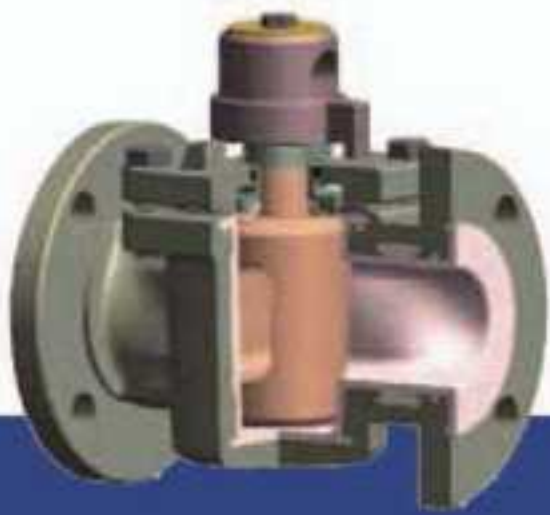




New Plug Valves



Non-Lubricated



Extended Packing Plug Valves

Sleeved Plug Valves

Lined Plug Valves

Double Block & Bleed Plug Valves

Lubricated Plug Valves



**UNGGUL
PRAKARSA
PRISMA**

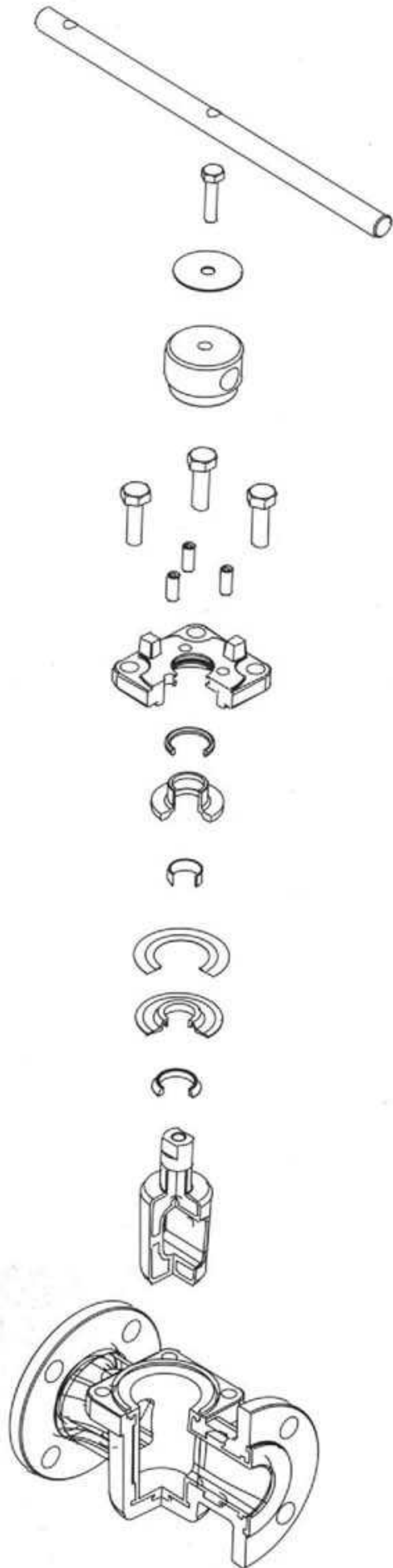


OS VALVE

TEFLON LINED PLUG VALVES

TEFLON LINED PLUG VALVES

Non-Lubricated



■ PART OF STANDARD MATERIAL

NO	DESCRIPTION	MATERIAL	SPECIFICATION
1	WRENCH	CARBON STEEL	1045. PAINTED
2	HUB BOLT	CARBON STEEL	SUS304
3	NAME PLATE	STAINLESS STEEL	SUS304
4	HUB	CARBON STEEL	ASTM A216 WCB
5	COVER BOLT	STAINLESS STEEL	ASTM A193 B7
6	ADJUSTING BOLT	STAINLESS STEEL	SUS304
7	COVER	CARBON STEEL	ASTM A216 WCB
8	O-RING	VITON	
9	THRUST COLLAR	STAINLESS STEEL	SUS304
10	ANSTATIC BEARING	RTFE	
11	METAL DIAPHRAGM	STAINLESS STEEL	SUS304
12	PTFE DIAPHRAGM	RTFE	
13	WEDGE RING	RTFE	
14	PLUG	CAST STL PFA LINED	ASTM A216 WCB
15	BODY	CAST STL PFA LINED	ASTM A216 WCB

TEFLON LINED PLUG VALVES

Non-Lubricated

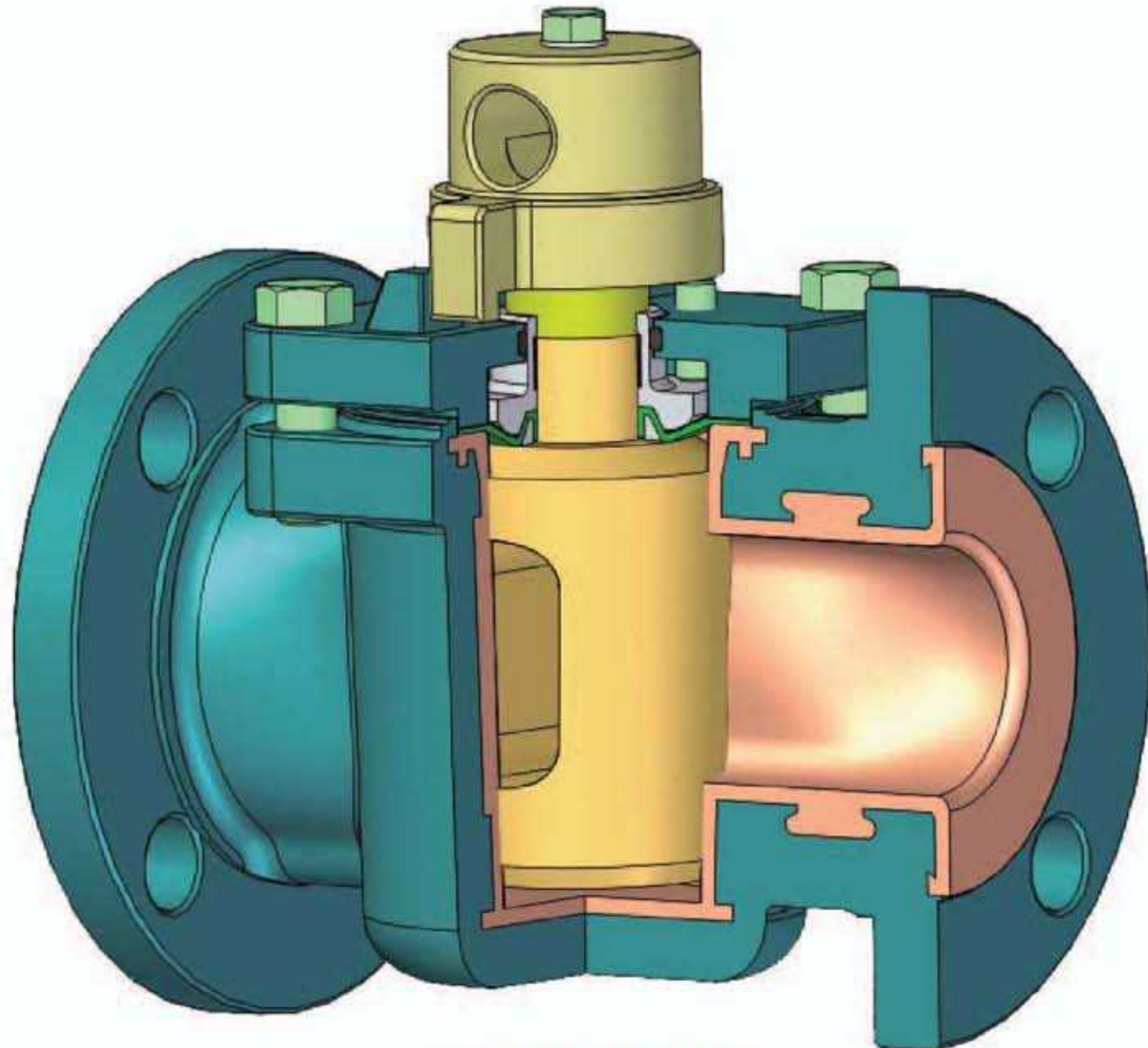


FIG. P25L WCB/PFA
TEFLON LINED PLUG VALVES

Non-Lubricated Type

Material

- **Body, Plug** : ASTM A216 WCB, ASTM A351 CF8M, CF3M, ETC

- **LINING MATL**: PFA

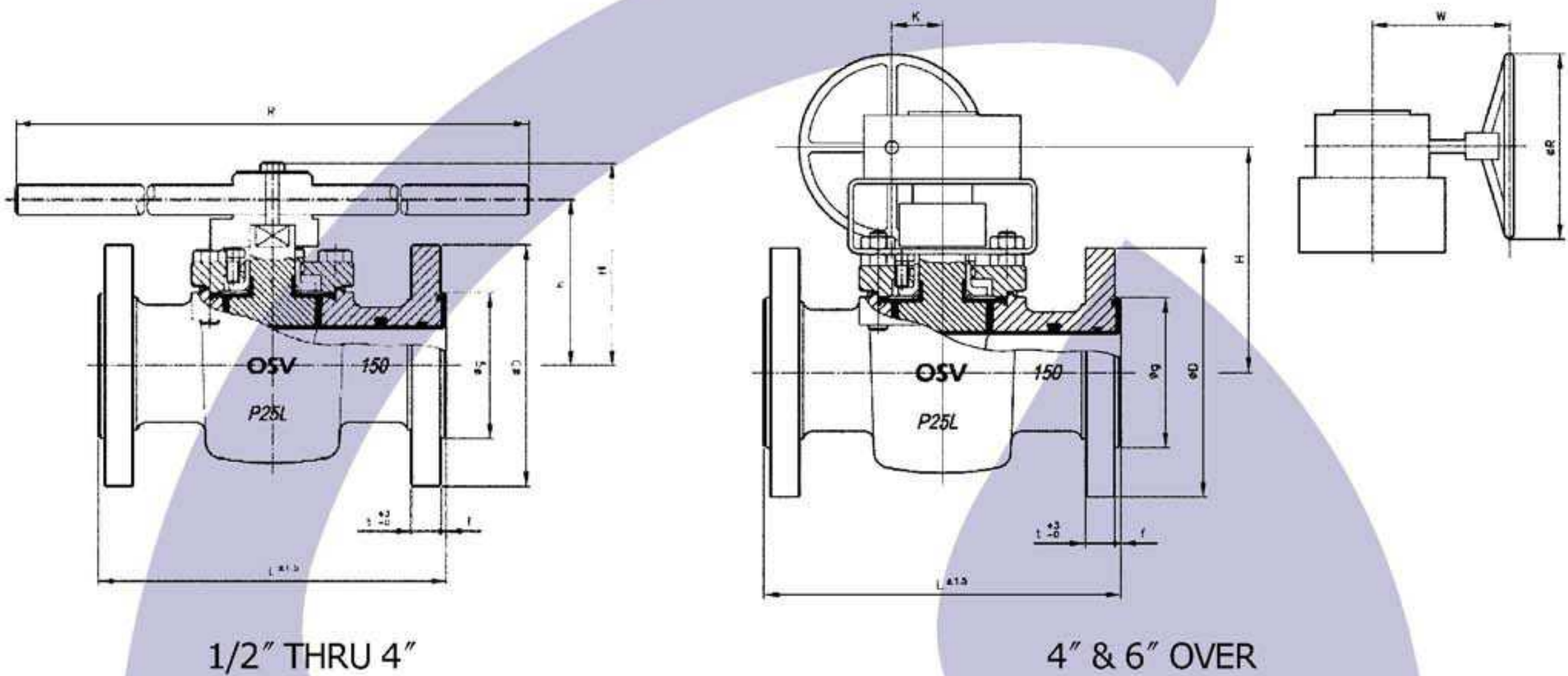
Size 1/2" ~ 18"

Use Temperature -50 °C ~ 230 °C

Main Fluid : Acidic or Alkatic fluid line specially required for No-Leakage.

TEFLON LINED PLUG VALVES

P25L Flanged ANSI class 150



1/2" THRU 4"

4" & 6" OVER

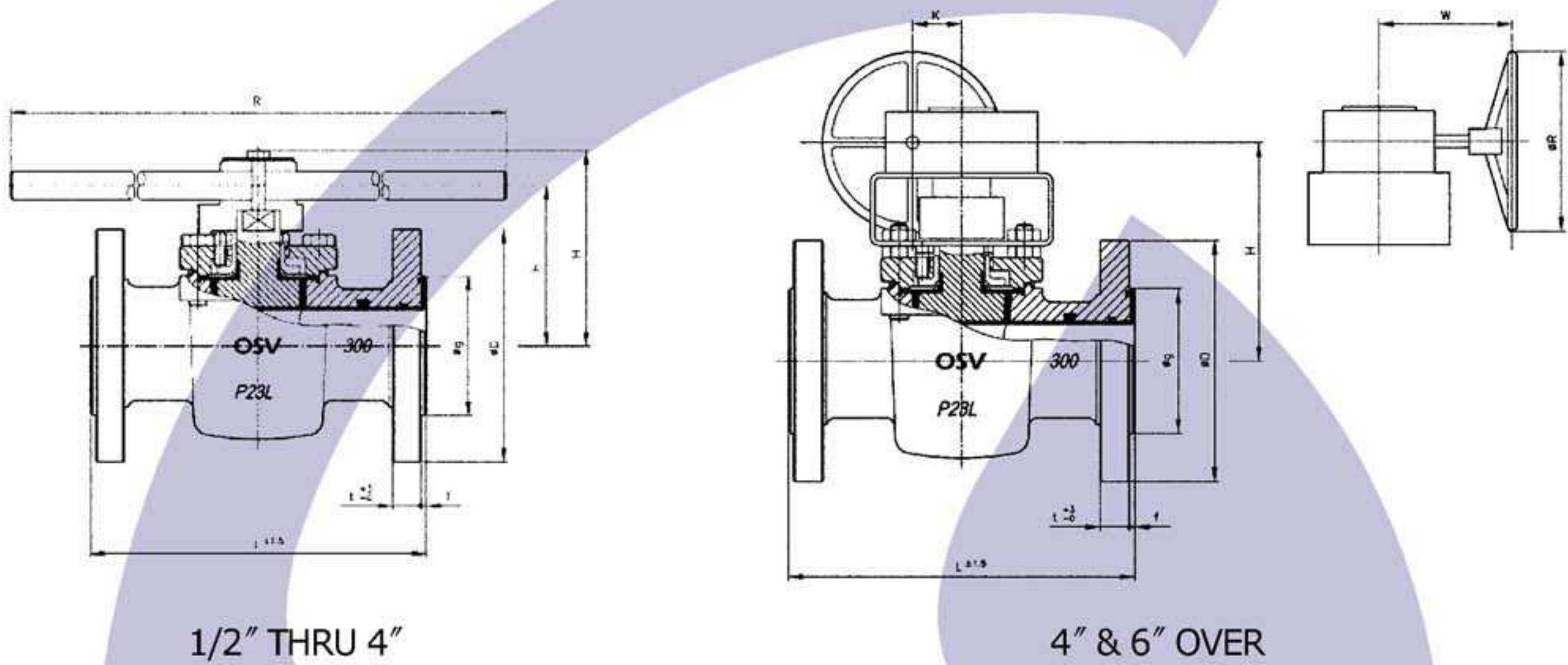
DIMENSIONS

UNIT : MM

IN	MM	L	END FLANGES							h	H	R	K	W	OPERATOR	REMARK
			D	g	t	f	BOLT HOLE									
							PCD	N	d							
1/2	15	108	89	35	11.7	2.0	60.5	4	16	80	-	180	-	-	WITH	
3/4	20	117	98	43	12.4	2.0	70.0	4	16	80	-	180	-	-	WRENCH	
1	25	127	108	51	14.2	3.0	79.5	4	16	75	96	222	-	-		
1.1/2	40	165	127	73	17.2	3.0	98.5	4	16	91	116	320	-	-		
2	50	178	152	92	18.8	3.0	120.5	4	19	106	130	460	-	-		
2.1/2	65	190	178	105	20.5	3.0	139.5	4	19	121	145	600	-	-		
3	80	203	190	127	22.1	3.0	152.5	4	19	121	145	600	-	-		
4	100	229	229	157	27.4	3.5	190.5	8	19	150	178	750	-	-		
4	100	229	229	157	27.4	3.5	190.5	8	19	-	233	250	53	177	WITH	
6	150	267	279	216	28.9	3.5	241.5	8	22	-	260	300	62.5	228	WORM	
8	200	292	343	270	32.1	3.5	298.5	8	22	-	343	300	62.5	228	GEAR	
10	250	330	406	324	34.2	4.0	362.0	12	25	-	374	500	91.5	297		
12	300	356	483	381	35.8	4.0	432.0	12	25	-	464	560	113	330		

TEFLON LINED PLUG VALVES

P23L Flanged ANSI class 300



DIMENSIONS

UNIT : MM

IN	MM	L	END FLANGES							h	H	R	K	W	OPERATOR	REMARK
			D	g	t	f	BOLT HOLE									
							PCD	N	d							
1/2	15	140	95	35	16.3	2.0	66.5	4	16	80	-	180	-	-	WITH	
3/4	20	152	117	43	17.9	2.0	82.5	4	19	80	-	180	-	-	WRENCH	
1	25	165	124	51	20.5	3.0	89.0	4	19	75	96	222	-	-		
1.1/2	40	190	156	73	23.7	3.0	114.5	4	22	91	116	320	-	-		
2	50	216	165	92	25.3	3.0	127.0	8	19	106	130	460	-	-		
2.1/2	65	283	210	127	31.6	3.0	168.0	8	22	121	145	600	-	-		
3	80	305	254	157	35.3	3.5	200.0	8	22	121	145	600	-	-		
4	100	305	254	157	35.3	3.5	200.0	8	22	150	178	750	-	-		
4	100	403	318	216	39.1	3.5	270.0	12	22	-	233	250	53	177	WITH	
6	150	419	381	270	46.8	3.5	330.0	12	25	-	260	300	62.5	228	WORM	
8	200	457	444	324	52.2	4.0	387.0	16	29	-	343	300	62.5	228	GEAR	
10	250	502	521	381	54.8	4.0	451.0	16	32	-	374	500	91.5	297		
12	300	140	95	35	16.3	2.0	66.5	4	16	-	464	560	113	330		



PRODUCT SYSTEM

- Chemical Plants
- Fats, Oils, Fatty Acid and Detergent Plants
- Power Plants-Fossil Fuel
- Breweries & Distilleries
- Electrical Component Plants
- Foundries
- Power Plant-Nuclear
- Coke By-Products Plants
- Food Processing Plants
- Paint & Paint Product Plants
- Textile Industry
- Steel & Other Metal Processing Plants
- Rubber & Synthetic Rubber Products Plants
- Petroleum Products & Handling Systems
- Pulp & Paper Plants
- Pharmaceutical Plants
- Water Treatment-Purification



PT. Unggul Prakarsa Prisma

Intercon Plaza Blok D8-9, Srengseng, Kembangan, Jakarta Barat - Indonesia

Phone: +62 21-5890 1302

Web : www.unggulpp.com