



A Complete World of Opportunities

A Whole World of Trusts



PT. UNGGUL PRAKARSA PRISMA
Engineering Supply Company
www.unggulpp.co.id



Dembla
www.dembla.com

CONTROL VALVES



Series 1100 Globe Single Seated 2-way Valve



SERIES 1100 GLOBE SINGLE SEATED 2-WAY VALVE

- Precision Control is its forte.
- It is excellent in handling clean fluids, Gases and Steam.
- Noise abating Trim designs available.
- It satisfies the majority of applications except very high flow rates.
- Sizes : 15 NB thru 750 NB
- Rating: ANSI 150 thru ANSI 1500# ANSI 150 thru ANSI 2500# (Higher ratings not applicable to all sizes)

Series 1100 Globe Single Seated 2-way Valve



PT. UNGGUL PRAKARSA PRISMA

KOMPLEKS INTERCON PLAZA BLOK D8-9, JL. MERUYA ILIR RAYA, JAKARTA 11630 - INDONESIA

Phone : 62-21-5890 1302 (HUNTING), 585 2531, 586 0158, Fax : 62-21-530 4380, 530 4885

Email : unggulpp@upp.co.id, Web : www.unggulpp.com

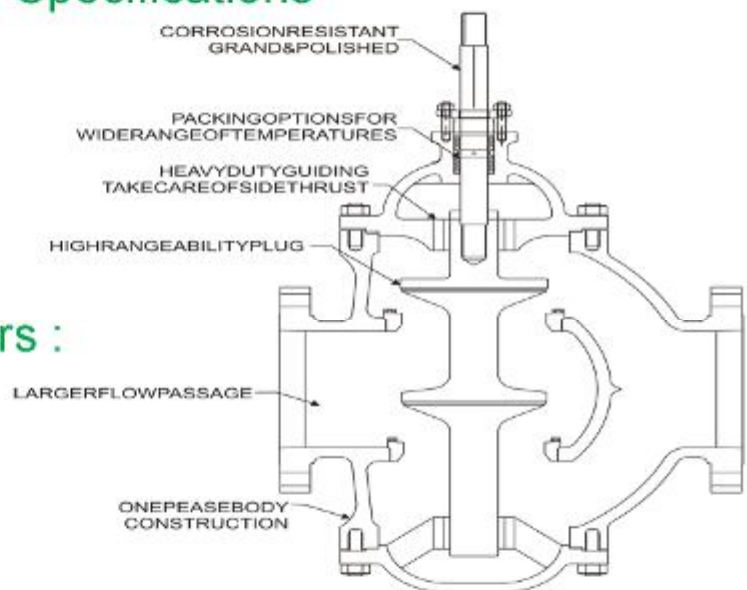


Series FV 2000
Globe Double Seated 2-way Valve

SERIES 2000 GLOBE DOUBLE SEATED 2-WAY VALVE

- The trim is inherently pressure balanced
- It very well handles unclean fluids, Gases and Steam
- Low noise trims are also available
- Preferred in refineries and industries wherever the fluid contains sediments, Solid particles and also precision is equally important
- Sizes : 40 NB thru 1500 NB
- Rating: ANSI 150 thru ANSI 900#
(Higher ratings available on request)

Specifications



Multispring Diaphragm Actuators :

Series - M



The 'M' Series control valve actuators are diaphragm actuators with pre-compressed multispring construction. They are compact, comparatively with less number of parts, easy to maintain, quickly reversible. The actuators are suitable for regulating and on-off applications. Various models are available covering small to larger thrust requirements.

The increasing air pressure supply moves the diaphragm and actuator stem opposing the spring force, while with decreasing air pressure supply the spring force moves the diaphragm in the opposite direction and back to normal position. To get various loading capacities the number of springs are altered.

The actuator can be mounted on shoulder of control valve bonnet with the help of locking ring. The connection between valve stem and actuator stem can be achieved with the help of stem connector made out of two halves. The travel indicator is coupled with the stem connector which matches with travel scale indicating the position of inner valve stem.



PT. UNGGUL PRAKARSA PRISMA

KOMPLEKS INTERCON PLAZA BLOK D8-9, JL. MERUYA ILIR RAYA, JAKARTA 11630 - INDONESIA

Phone : 62-21-5890 1302 (HUNTING), 585 2531, 586 0158, Fax : 62-21-530 4380, 530 4885

Email : unggulpp@upp.co.id, Web : www.unggulpp.com



Series 3000 Globe 3 Way Valves

SERIES 3000 GLOBE 3 WAY VALVE

- When one wants to split the fluid in TWO DIFFERENT directions or mix TWO DIFFERENT streams of fluids to achieve desired control. This valve can satisfy the application
- Both the characteristics i.e: Linear / ON OFF are available
- Sizes: 15 NB to 750 NB
- Rating: ANSI 150 to ANSI 900#
(Higher ratings available on request)

Multispring Diaphragm Actuators : Series- M and its Function



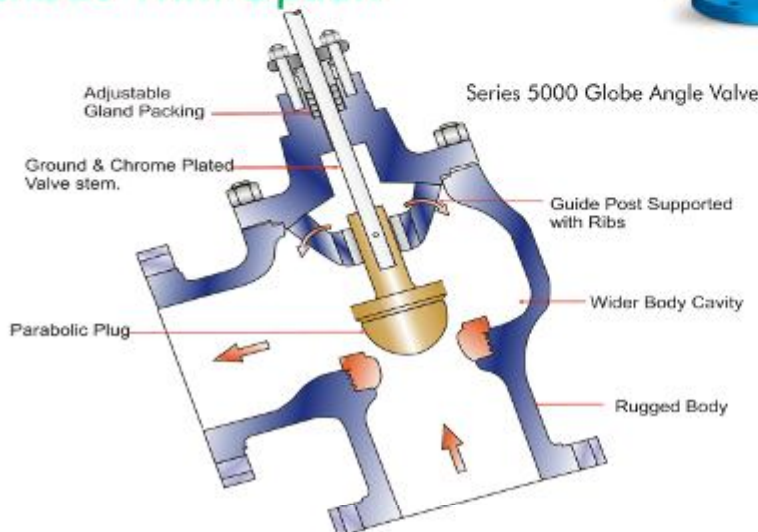
SPECIFICATIONS

Max. Diaphragm P ressure	: 3.5 bar (For Model M and Mp)
Actuator Travel	: 18, 28, 38, 58, 78 and 108 mm
Diaphragm	: Nitrile with Nylon insert / EPDM with Nylon insert (On R equest)
Operating Temp. Range	: - 40 to +80 °C Nitrile Elastomers
Connections	: 1/4" NPT (F) for Models Nos. 00, 01, 11, 3/8" NPT (F) for Models Nos. 12, 22, 23, 33, 34 and 44.
Permissible Linearity and Hysterisis	: +5% of Signal P ressure Range

SERIES 5000 GLOBE ANGLE VALVE

- It is most suitable for Severe, Abrasive, Erosive, Slurry applications. However, needs application engineering on case-to-case basis
- Handles flashing the best
- Sizes: 25 NB thru 900 NB
- Rating: ANSI 150 thru ANSI 900#
(Higher ratings available on request)
- Higher Size available in fabricated economical version also

Various Trim Option



Multispring Diaphragm Actuators : Series - M



PT. UNGGUL PRAKARSA PRISMA

KOMPLEKS INTERCON PLAZA BLOK D8-9 , JL. MERUYA ILIR RAYA , JAKARTA 11630 - INDONESIA

Phone : 62-21-5890 1302 (HUNTING) , 585 2531, 586 0158, Fax : 62-21-530 4380, 530 4885

Email : unggulpp@upp.co.id , Web : www.unggulpp.com



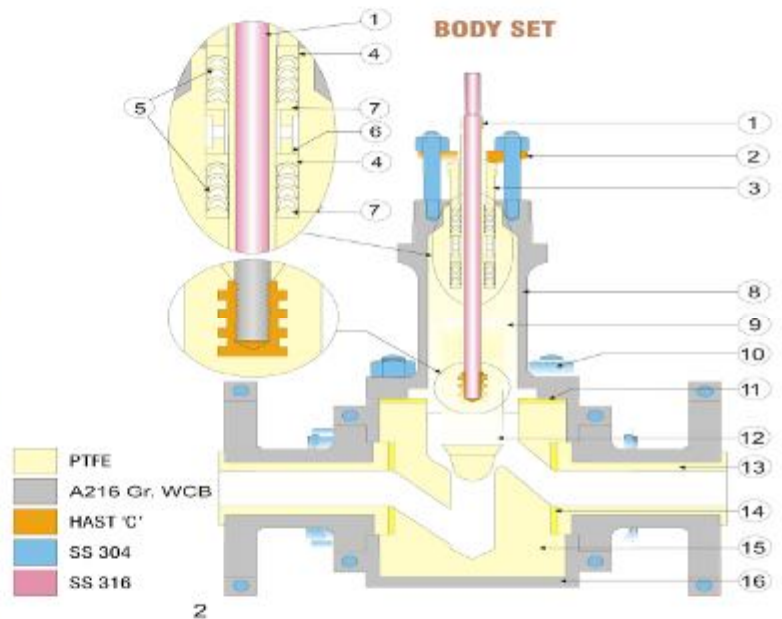
SERIES 1500-MH GLOBE METAL HOUSED TEFLON VALVE

- Globe Metal Housed Teflon Valves are "Cost Effective" and excellent in handling highly corrosive Fluids, Acids
- The valve design is proven
- Higher PTFE Valve thickness as 6mm minimum
- Maximum pressure 10 Bar
- Maximum temperature: 180 °C
- Sizes: 15 NB thru 80 NB
- Rating: ANSI 150#

Series 1500-MH Globe Metal Housed Teflon Valve

PARTS ILLUSTRATED

SR. NO.	PARTS	MATERIAL OF CONSTRUCTION
1	VALVE STEM	HAST 'C' / SS 316 PTFE LINED
2	GLAND FLANGE	HAST 'C'
3	GLAND	PTFE
4	PACKING SPREADER	PTFE
5	V-RINGS	PTFE
6	LANTERN RING	PTFE
7	PACKING WASHER	PTFE
8	BONNET HOUSING	A216 Gr.WCB / A351Gr. CF8M
9	BONNET SLEEVE	PTFE
10	BODY STUDS / NUTS	SS 304
11	BONNET GASKET	PTFE
12	VALVE PLUG	PTFE WITH HAST 'C' INSERT
13	END CONNECTION SLEEVE	PTFE
14	END CONNECTION GASKET	PTFE
15	VALVE BODY	PTFE
16	BODY HOUSING	A216 Gr.WCB / A351 Gr. CF8M



Series 9000 Flush Bottom Valve

SERIES 9000 FLUSH BOTTOM VALVE

- Flush Bottom Valves are most popular in Pharma and Agrochemical Batch Process Industries for emptying the vessel from bottom
- Effective in handling Highly Dense and Viscous Fluids & Slurry
- Tight shut-off up to 200° C
- Jacketed bodies are also available to maintain the liquid in flowing state
- Sizes: 40 NB thru 300 NB
- Rating: ANSI 150 thru ANSI 300#
(Higher ratings available on request)



PT. UNGGUL PRAKARSA PRISMA

KOMPLEKS INTERCON PLAZA BLOK D8-9, JL. MERUYA ILIR RAYA, JAKARTA 11630 - INDONESIA

Phone : 62-21-5890 1302 (HUNTING), 585 2531, 586 0158, Fax : 62-21-530 4380, 530 4885

Email : unggulpp@upp.co.id, Web : www.unggulpp.com

SERIES 7400 HIGH PERFORMANCE BUTTERFLY VALVE

- Double Eccentric Disc design impart extremely high Edge to suit various demanding applications
- Valves designed to achieve bi-directional tight shut off for sizes upto 3000 NB (with Elastomer soft seat)
- Wide choice of various seat moc: EPDM / VITON / PTFE / RTFE (GFT) / SS316
- Choices of End Connections Wafer / Lugged / Flanged
- Face to face dimensions available as per International standards
- Fire safe design as per API 607 available
- Blow out proof stem design
- Size 50NB thru 3000 NB
- Valve ratings PN-1, PN-2.5, PN-6, PN-10, PN-16, PN-25, PN-40/ ANSI 150# / 300# (ANSI 600# available on request)



Series 7400 Aluminium Bronze



Hand Lever

Gear Operator

Piston Actuator (single / Double Acting)

Diaphragm Actuator

Accessories Options



Limit Switch



Smart Positioner



Electro Pneumatic Positioner



PT. UNGGUL PRAKARSA PRISMA

KOMPLEKS INTERCON PLAZA BLOK D8-9, JL. MERUYA ILIR RAYA, JAKARTA 11630 - INDONESIA

Phone : 62-21-5890 1302 (HUNTING), 585 2531, 586 0158, Fax : 62-21-530 4380, 530 4885

Email : unggulpp@upp.co.id, Web : www.unggulpp.com

SERIES 7600 TRIPLE OFFSET BUTTERFLY VALVES

- Metal to metal Tight shut-off
- Inherently Fire Safe Design
- Laminated Seats
- Suitable to handle high temperature and abrasive application
- Bidirectional
- Sizes 3" through 48"
- Rating ANSI 150# , 300# & 600#

Valve Operators:

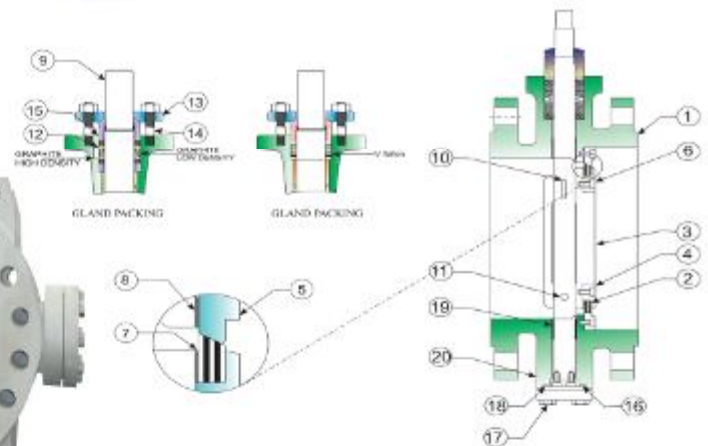
- Lever
- Gear Box
- Pneumatic Actuator
- Electric Actuator
- Hydraulic Actuator



Series 7600 Triple Offset Butterfly Valves.

SERIES 7600 TRIPLE OFFSET METAL SEATED BUTTERFLY VALVES

- Extended performance
- Tight shut off
- Bi-directional
- Inherently Fire safe Design



MATERIAL OF CONSTRUCTION

SR. NO.	PART NAME	BODY IN "CARBON STEEL"	BODY IN "STAINLESS STEEL"	BODY IN "SUPER DUPLEX"	BODY IN ALLUM BORON2
1	Body	ASTM A216 WCB	ASTM A351CF8M	ASTM A590 GR. 6A	ALLUM BRON 2E BS1400 AB2
2	Disc Seal	SS316 + GRAPHITE	SS316 + GRAPHITE	SUPER DUPLEX UNS S32760 + GRAPHITE (Laminated)	MUNEL 400 + GRAPHITE (LAMINATED)
3	Disc	ASTM A216 GR WCB	ASTM A351CF8M	AS7M A S 90 GR. 6A	ALLUM BRON2E BS1400AB2
4	Seal Retainer	CARBON STEEL	ASTM A351CF8M	SUPER DUPLEX UNS S32760	ALLUM BRON2E BS1400AB2
5	Body Seal	SS316+(1)	SS316 + GRAPHITE	SUPER DUPLEX UNS S32760	ALLUM BRON2E BS1400BA2
6	Bolt	ASTM A193 (7)	ASTM A193 B8M	ASTM A.193 GR. BSM	ASTM A.193 BSM
7	Seat Ring gasket	GRAPHITE	GRAPHITE	GRAPHITE	GRAPHITE
8	Seal Gasket	GRAPHITE	GRAPHITE	GRAPHITE	GRAPHITE
9	Shaft	SS316 / SS3410	SS316	SUPER DUPLEX UNS S32760	MONEL K 500
10	Disc Key	SS316 / SS410	SS316	SUPER DUPLX UNS S32760	MONEL K 500
11	Pin	SS316	SS316	SUPER DUPLEX UNS S32760	MONEL K 500
12	Gland Packing	GRAPHITE (2)	GRAPHITE	GRAPHITE (2)	GRAPHITE (2)
13	Gland Flange	CARBON STEEL	SS316	SS 316	SS 316
14	Packing Studs	SS304	SS304	SS 304	SS 304
15	Gland bush	SS316	SS316	SS 316	SS 316
16	Bottom Cover	CARBON STEEL	SS316	SUPER DUPLEX UNS S32760	ALLUM BRON BS 1400AB2
17	Bolts	ASTM A193B7	ASTM A193B8M	A193 GR. BSM	A193 GR. BSM
18	Gasket	SS SPIRAL WOUND GRAPHITE FILLED	SS SPIRAL WOUND	SS SPIRAL WOOD GRAPHITE FILLED	SS SPIRT GRAPHITE FILLED
19	Bearings	SS410+H.T.	SS316+CHROME PLATED	INCONEL 600	INCONEL 600
20	Thrust washer	SS316	SS316	SUPER DUPLEX UNS S 32760	

(1) Stellite Facing on disc seal on request .

(2) V-Teflon Gland packing for Temperature less than 200°C.



PT. UNGGUL PRAKARSA PRISMA

KOMPLEKS INTERCON PLAZA BLOK D8-9 , JL. MERUYA ILIR RAYA , JAKARTA 11630 - INDONESIA

Phone : 62-21-5890 1302 (HUNTING) , 585 2531, 586 0158, Fax : 62-21-530 4380, 530 4885

Email : unggulpp@upp.co.id , Web : www.unggulpp.com

SERIES 7500 WATER APPLICATION BUTTERFLY VALVE

- Sturdy & Rugged designed valve in accordance with A W W A C - 504 / EN-593.
- Valve body & disc with or without Ebonite / Epoxy lining.
- Better seating effect due to Double Eccentric disc design.
- This also gives extra life to valve seal due to minimum contact wear.
- Additional features available in consultation with our design & development department.
- Size 80 NB through 2500 NB.
- Valve rating PN-6 thru PN-40 / ANSI 150# / 300# (ANSI 125# / 250#)
- Gear Box
- Pneumatic actuator
- Electrical actuator
- Hydraulic actuator



Series 7500 Water Application Butterfly Valve

SERIES 8100 FLOATING BALL VALVE

Live Loaded Gland Packing

- Graphite Packing are provided as standard taking care of Fire Safe Design Condition. Belleville Springs Washers are used to achieve live loading which protects Gland loosening under vibrations & shock conditions.

Antistatic Device

- To ensure Electrical Continuity between the Stem and Ball and Body all Valves are provided with Antistatic device as an integral part of Floating Ball Valves.

Blow Out Proof Stem

- Stem is Designed to include a collar to provide protection against Blow Outs.

Locking Device

- Locking devices are provided on all Valves with both Lever Operator and Gear Operator.

Integral Actuator Mounting Pad

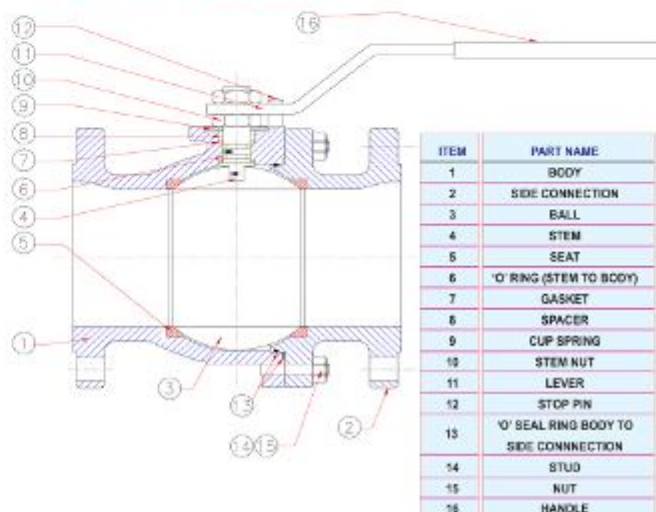
- All Valves are featured with an Integral Mounting Pad on Valve Bodies in accordance with ISO 5211

Valve Size: DN 15 - DN 200 [1/2" - 8"]



Series 8100 Floating Ball Valve

Parts Illustrated



PT. UNGGUL PRAKARSA PRISMA

KOMPLEKS INTERCON PLAZA BLOK D8-9, JL. MERUYA ILIR RAYA, JAKARTA 11630 - INDONESIA

Phone : 62-21-5890 1302 (HUNTING), 585 2531, 586 0158, Fax : 62-21-530 4380, 530 4885

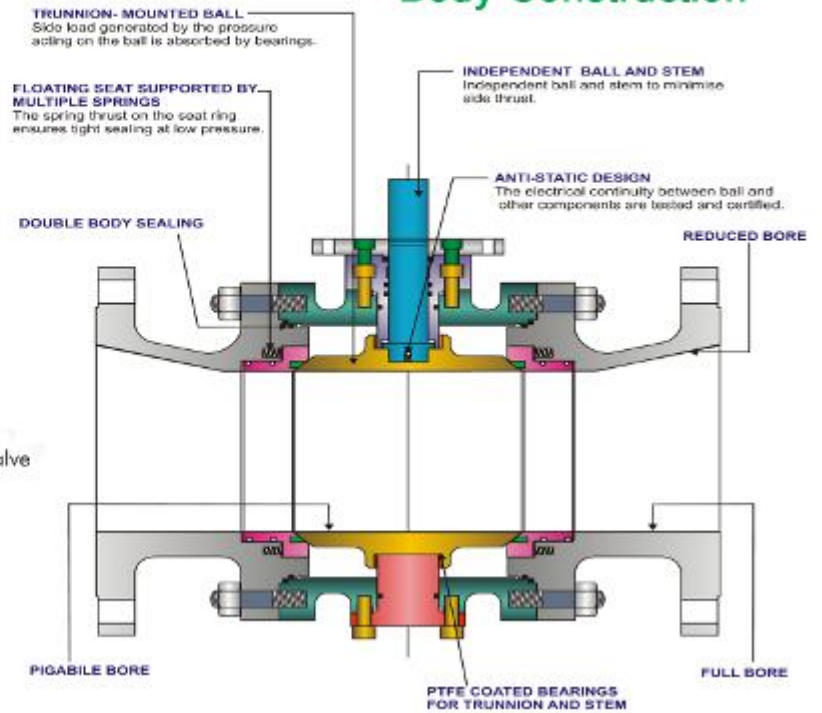
Email : unggulpp@upp.co.id, Web : www.unggulpp.com

SERIES FO 8200 O-BALL VALVE

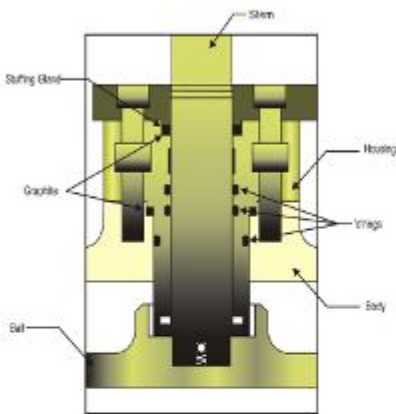
- O-Ball valve is reliable valve for Isolation and emergency shut down conditions
- Also available in Manual operations
- Highest popular among automated valves
- Trunion Mounted design
- Sizes: 15 NB thru 1200 NB
- Rating: ANSI 150# to ANSI 2500#



Body Construction



Design and Features



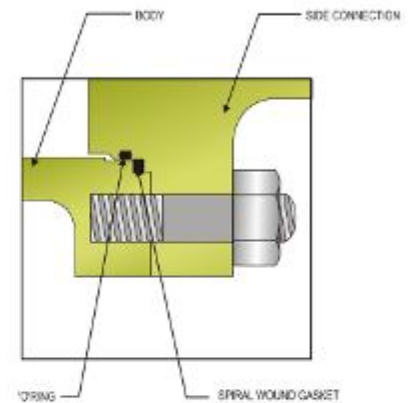
Triple Stem Sealing

Stem and gland are provided with multiple 'o'-rings and graphite seats to

Ensure no leakage to atmosphere under higher or lower pressure Conditions.

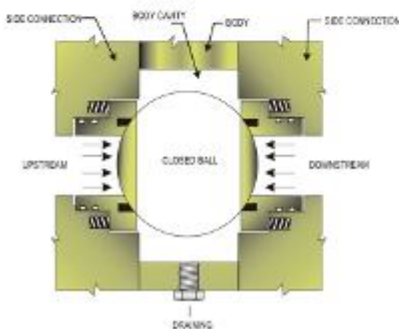
Dual Body Sealing

Dual seals by means of 'o'-rings and spiral wound gaskets are provided at Body to side connection joints ensuring leak proof body joint



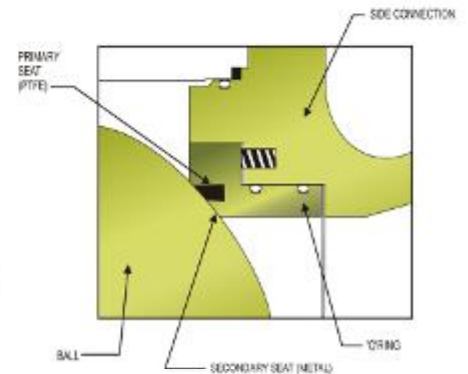
Double Block and Bleed

This feature allows confirmation of valve seats integrity. The valve body is equipped with a vent plug, with valve in closed position. The springs energised seats are capable of sealing from upstream and downstream sides, the vent may be opened to permit venting and Subsequent cleaning of valve body without necessity to blow down the Pipe line.



Fire Safe Design

Fire safe design has dual sealing, in case of fire the primary seat (ptfe) will get damaged & the secondary seat (metal) will come in contact with ball to Prevent leakage.



PT. UNGGUL PRAKARSA PRISMA

KOMPLEKS INTERCON PLAZA BLOK D8-9, JL. MERUYA ILIR RAYA, JAKARTA 11630 - INDONESIA

Phone : 62-21-5890 1302 (HUNTING), 585 2531, 586 0158, Fax : 62-21-530 4380, 530 4885

Email : unggulpp@upp.co.id, Web : www.unggulpp.com



Series FV 8200 V-Ball Valve

SERIES FV 8200 V-BALL VALVE

- V-Ball Valve comfortably handles pulp, slurry, fibrous and viscous fluids
- While in MOTION It creates "WEDGING & SHEARING EFFECT"
- It has high flow capacity compared to globe valves and are used for precise control applications
- It can be used for shut off applications on case-to-case basis
- End Connections : flangeless and flanged are available
- Sizes: 25 NB thru 600 NB

Diaphragm Rotary Actuators

Specifications

Max. Diaphragm Pressure	:	50 PSI
Actuator Travel	:	90°/60°
Operating Temp. Range	:	- 40 °F to + 176 °F Nitrile Elastomers
Models	:	LDp-0-58-90°/60° LDp-1-58-90°/60° LDp-2-78-90°/60° LDp-3-98-90°/60°
Manual Overrides	:	Manual overrides are available as Top mounted Hand Wheel. When Handwheel is turned, force is extended on the diaphragm plate, compressing the actuator spring and operating the valve in the direction of air stroke.



Actuators - Piston Rotary Actuators

Specifications

Pressure	:	Upto 6 bar
Temperature	:	- 20° C to + 80° C
Construction	:	Suitable for Indoor or Outdoor Installation
Material	:	Housing - Aluminium Alloy
Stroke (Standard)	:	0° to 90°



PT. UNGGUL PRAKARSA PRISMA

KOMPLEKS INTERCON PLAZA BLOK D8-9, JL. MERUYA ILIR RAYA, JAKARTA 11630 - INDONESIA

Phone : 62-21-5890 1302 (HUNTING), 585 2531, 586 0158, Fax : 62-21-530 4380, 530 4885

Email : unggulpp@upp.co.id, Web : www.unggulpp.com

**Double Acting
Rotary Cylinder Actuator
Series - LPD
Torque : 125 Nm to 157167 Nm**



Features :

- Heavy duty Carbon Steel Cylinder. Hard chrome plated cylinder bore provides maximum corrosion resistance, smoother and scratch free surface.
- Over sized multiple extended tie rods for high integrity
- Double 'O' rings with PTFE Guide band ensures minimum friction.
- Piston Rod hard chrome plated for corrosion resistance and guided with self lubricated bearings provides smooth & frictionless operation.
- Totally enclosed weather proof housing.
- External Travel stops allow stroke adjustment of $\pm 5^\circ$ at both ends.
- Actuator Mounting as per ISO 5211.
- Special Coatings for offshore or corrosive environments available.
- Available optionally with declutcheable hand wheel arrangement.

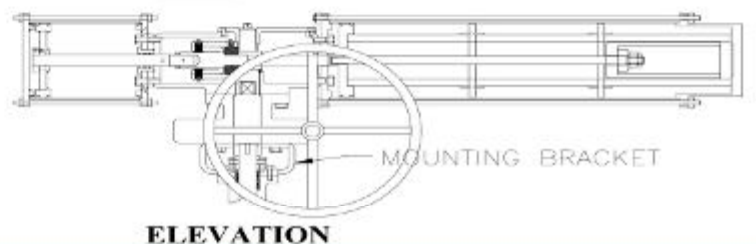
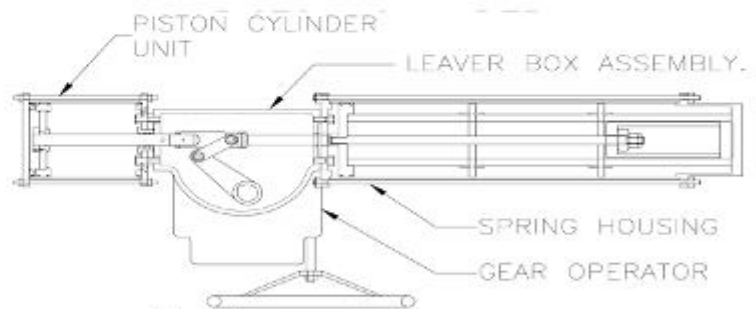
**Spring Return
Rotary Cylinder Actuator
Series - LPS**



Dismantling LPS Actuator

LPS Actuator Comprises to three sub-assemblies:

- Spring Housing
- Lever Box Assembly
- Piston Cylinder Unit



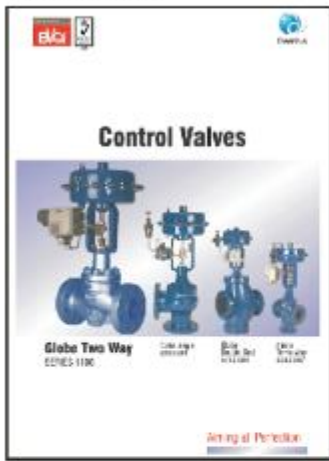
PT. UNGGUL PRAKARSA PRISMA

KOMPLEKS INTERCON PLAZA BLOK D8-9, JL. MERUYA ILIR RAYA, JAKARTA 11630 - INDONESIA

Phone : 62-21-5890 1302 (HUNTING), 585 2531, 586 0158, Fax : 62-21-530 4380, 530 4885

Email : unggulpp@upp.co.id, Web : www.unggulpp.com

Series- 1100



Control Valves

Globe Two Way
Series 1100

• Cast Iron
• Cast Steel
• Cast Alloy Steel
• Cast Inconel

Aiming at Perfection

Series- 2000



Series 2000
DOUBLE SEATED
GLOBE CONTROL
VALVE

Aiming at Perfection

Series- 3000



CONTROL
VALVES
GLOBE 3 WAY

Series 3000

Aiming at Perfection

Series- 5000



Series 5000
Globe Angle
Control Valve
Size DN 15 - 300
1/2" - 36"

Aiming at Perfection

Series- 1100 BS



GLOBE BELLOWS SEAL VALVES

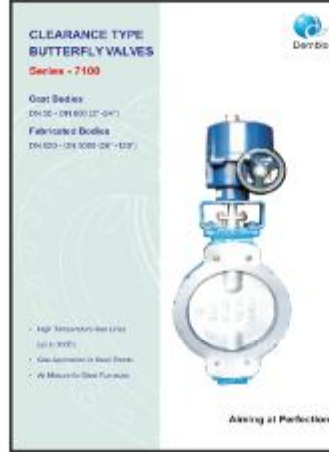
Size: DN 15 to DN 300
1/2" to 12"

Rating: 158 to 1500

- High Pressure
- 25 years
- Vacuum Tightness
- Operational Safety
- Long Service Life

Aiming at Perfection

Series -7100



CLEARANCE TYPE
BUTTERFLY VALVES

Series - 7100

Cast Bodies
DN 50 - DN 600 (2" - 24")

Fabricated Bodies
DN 100 - DN 1000 (4" - 100")

- High Temperature Steel
650 to 900°C
- Cast Austenitic Steel Bodies
- All Materials Meet Flareless

Aiming at Perfection

Series -7200



RESILIENT SEATED
BUTTERFLY VALVES

Series - 7200

Resilient Seat
DN 50 - DN 600 (2" - 24")

Stainless Steel
DN 800 - DN 1000 (24" - 36")

Applications

- Sewage Water
- Slurry Treatment Plant
- Sea Water
- Cooling Water Intake
- Pollution Free
- Petrochemicals
- Pulp
- Compressed Air
- Steam
- Heat Recovery Plant
- Paper Industry

Aiming at Perfection

Series- 7400



High Performance
Butterfly Valves

Series 7400

Aiming at Perfection

Series- 7500



Dembla
Butterfly Valves

Series 7500

IN COMPLIANCE TO
EN 558 AND PNEN 12241

DN 150 (6") to DN 2000
6" to 150"

For

- Paper and Pulp Mills Industries
- Paper Distribution Systems
- Water Plants
- Industrial Plants

Aiming at Perfection

Series- 7600



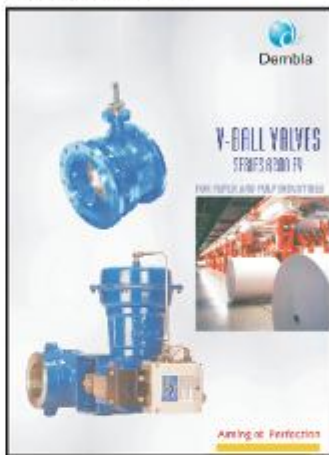
Series 7600
TRIPLE Offset,
Metal Seated
Butterfly
Valves.

Sizes DN 80 - 1200
3" - 48"

- Extended performance
- Tight shut off
- Bi-directional
- Inherently Fire safe Design

Aiming at Perfection

Series- 8200FV

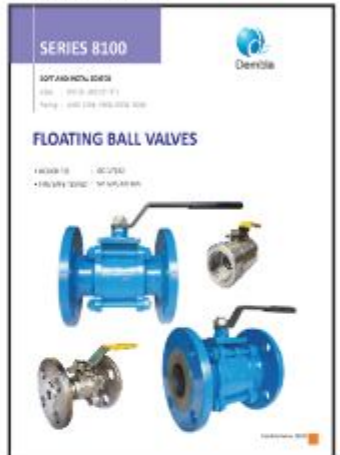


V-BALL VALVES
SERIES 8200 FV

FOR PULP AND PAPER INDUSTRIES

Aiming at Perfection

Series- 8100



SERIES 8100

FLOATING BALL VALVES

• DN 150 to 1000
• 6" to 40"

Aiming at Perfection



Dembla



PT. UNGGUL PRAKARSA PRISMA
ENGINEERING SUPPLY COMPANY

Kompleks Intercon Plaza Blok D8-9, Jl. Meruya Ilir Raya
Jakarta 11630 - Indonesia

Phone : 62-21-5890 1302 (Hunting) 585 2531, 586 0158, Fax : 62-21-530 4380, 530 4885.

Email : unggulpp@upp.co.id, Web : www.unggulpp.com