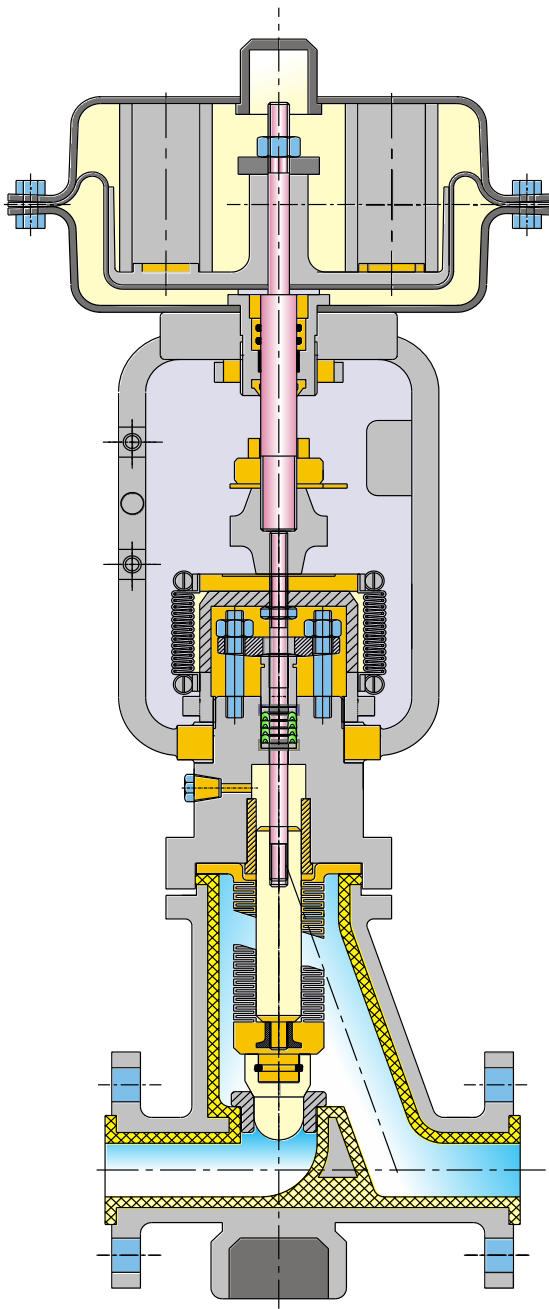




**UNGGUL
PRAKARSA
PRISMA**

Komplek Ruko Intercon Plaza Blok D No. 9, Jl. Meruya Ilir raya , Srengeseng , Jakarta Barat 11630
Phone : 6221 5890 1302 Email : unggulpp@upp.co.id Web : www.unggulpp.com

PFA Lining Bellows Sealed Globe Control Valve SERIES - 1500 PFA



**PFA Lining Corrosion-resistance.
Friendly with Chemical**

First issue Aug -2017 : Rev-0 Oct-2017



**UNGGUL
PRAKARSA
PRISMA**

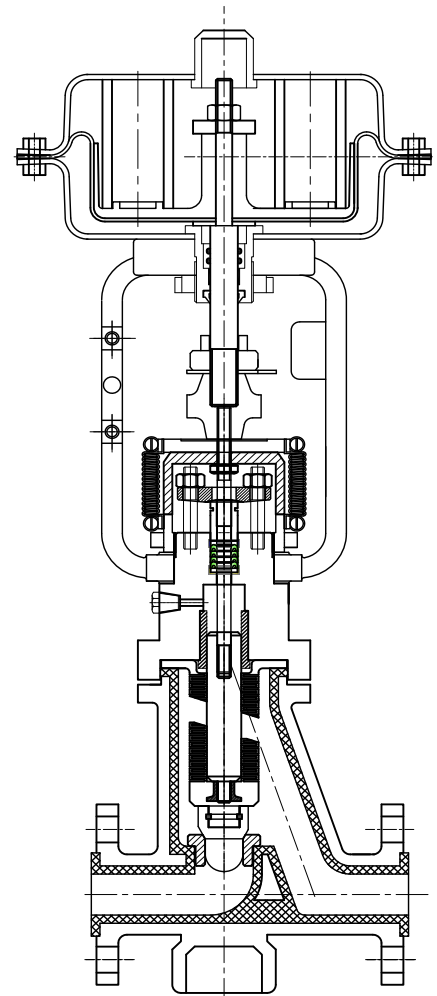
Komplek Ruko Intercon Plaza Blok D No. 9, Jl. Meruya Ilir raya , Srengeseng , Jakarta Barat 11630
Phone : 6221 5890 1302 Email : unggulpp@upp.co.id Web : www.unggulpp.com

FORWORD

The series 1500-PFA lined globe valve specially design for controlling corrosive , hazardous, vapor, gases and pharmaceutical industries.

FEATURES

- 1) One piece body:- One piece PFA lined body design for easy access to all internal parts for Online inspection, maintenance and trim replacement.
- 2) PTFE Bellows: - PTFE Bellows hermetically seal the product chamber from the atmosphere and protect the valve shaft form corrosion.
- 3) Wall thickness:-Valve body with thick wall thickness 5 to 6 mm for high durability.
- 4) PTFE Cord: - PTFE Cord used for the locking bellow and plug without play also easy maintenance and durability.
- 5) Replicable plug: - Replicable plug design used for easy maintenance and changing the valve CV as per the requirement. pure PTFE no Fillers.
- 6) Replicable seat: - Replicable seat design used for easy maintenance and changing the valve CV as per the requirement. pure PTFE no Fillers.
- 7) Gland packing:- Adjustable gland packing are provided as a standard feature this work as a secondary gland seal (first bellow seal)
- 8) Travel stopper:- Travel stopper are specially design to protect the PTFE plug and seat from the actuator force during high shut off.



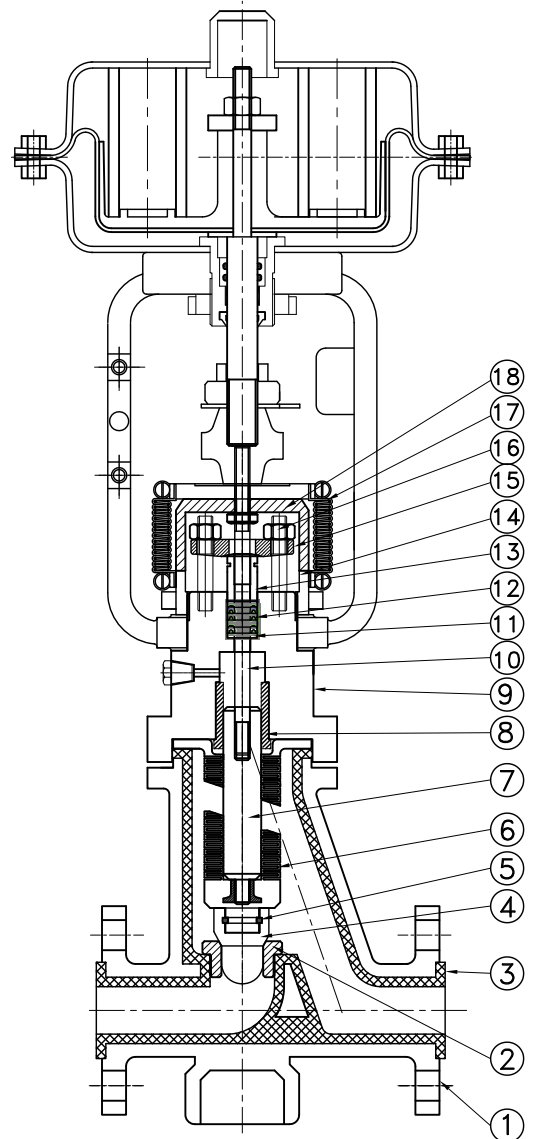
SPECIFICATIONS

1500-PFA

Operating Pressure	0.1mbar vacuum up to 16 bar
Operating Temperature	-60 to +200°C
Size Range	½ “ to 4” (15mm to 100mm)
Class	ANSI 150#, Equivalent in BS and DIN
Body MOC	A 216 GR WCB
Bonnet	Standard
Actuator	Multispring Diaphragm Actuator
Accessories	Pneumatic Valve Positioner, Air Filter Regulator, Electro Pneumatic (E/P) Valve Positioner, Air Lock Relay, Air Volume Booster, Limit Switch, Proximity Switch, Solenoid Valve, Position Transmitter etc.

PARTS ILLUSTRATED

SR. NO.	PARTS	MATERIAL OF CONSTRUCTION
1	Valve Body	A 216 GR WCB
2	Seat Ring	PTFE
3	PTFE Insert	PTFE
4	Plug	HASR-C
5	Braided Rope	PTFE
6	Bellow	PTFE
7	Bellow Shaft	HASR-C
8	Guide Bush	HASR-C
9	Bonnet	A 216 GR WCB
10	Bonnet	HASR-C
11	Spreader	HASR-C
12	V-Ring	PTFE
13	Gland	HASR-C
14	Lock Ring	HASR-C
15	Gland Flange	HASR-C
16	Gland Stud	HASR-C
17	Bellow Cover	Rubber
18	Stopper Cum Lock Ring	SS 316



DOUBLE GLAND PACKING ARRANGEMENT

The PFA Lining Bellows Sealed Globe Control Valves are offered with double gland packing arrangement as an alternate to bellow seal arrangements. The arrangement consists of two individual sets of V-Teflon rings separated by lantern ring. The arrangement provides total sealing against valve stem and stuffing box. Figure shows a cross sectional view of special variation in the concept of the most popular, conventional, bolted, single packing arrangements. First set of packing rings is always under influence of full pressure of the fluid. Any corrosive / toxic fluid, that has tendency to leak past the first set of Packing Rings, tries to accumulate in the region of lower lantern ring. But here, it is comparatively at a low pressure and its effectiveness to leak past the barrier of the second set of packing rings is minimum. Each Teflon Chevron ring has been designed, not only to arrest the gland leak but also to act as a wiper ring, so that the wetness is not carried forward during stem moving outward. Thus this Double packing arrangement is wonderfully effective in stem sealing, reliable and far less expensive than a Bellow seal arrangement.

MICRO TRIMS

Micro trims are available with ported cage guided plugs. Complete Trim Set comprising of Valve Plug, Stem, Cage and Seat Ring are in Hast 'C' or superior metal - well compatible with fluid corrosion.

Cv VALUES

For Valves with Contoured Plug Trims

VALVE SIZE		TRIM SIZE		Cv VALUES
INCH	MM	INCH	MM	USGPM
1/2, 3/4 and 1 2	15 20 and 5	1	25	09
		3/4	20	07
		1/2	15	05
		3/8	10	04
		5/16	08	03
		1/4	06	02
		3/16	05	1.5
		1/8	03	01
1	1/40	1	1/40	20
		1	1/4	32
		1	25	13
2	50	2	50	32
		1	1/2	40
2	1/65	1	1/4	32
		2 1/2	65	60
		2	50	40
3	80	1	1/2	40
		3	80	80
		2	1/2	65
4	100	2	50	50
		4	100	140
		3	80	100
		2 1/2	65	80
4	100	2	50	50

For Valves with Micro Trims

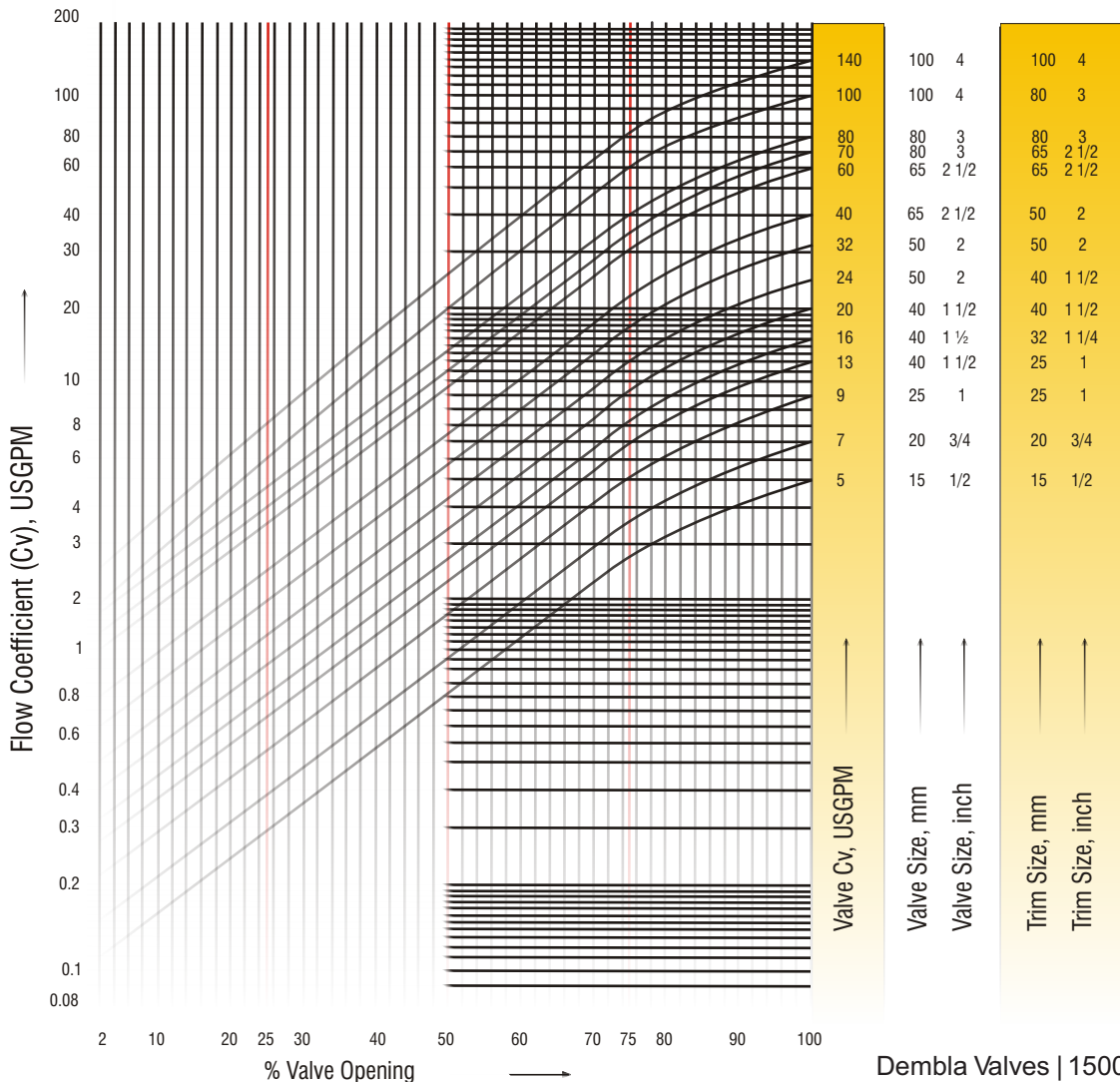
1500-PFA

VALVE SIZE		TRIM SIZE	Cv VALUES
INCH	MM		USGPM
1/2 3/4 1	15 20 25	M	0.003
		L	0.005
		K	0.0075
		J	0.01
		I	0.02
		H	0.03
		G	0.05
		F	0.075
		E	0.1
		D	0.15
		C	0.2
B	0.3		
A	0.4		
		1/32" (0.75mm)	0.5
		1/16" (1.6mm)	0.75

NOTE :

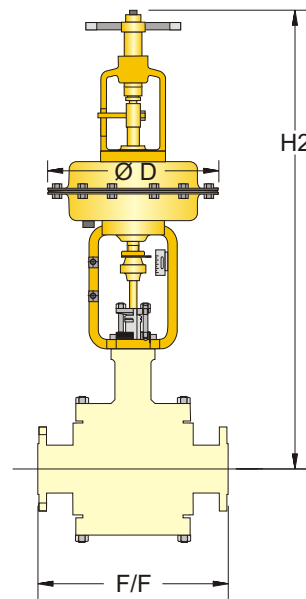
The above mentioned trim sizes are designated sizes only, the actual seat bore for all above sizes is 4mm.

FLOW CHARACTERISTICS (EQUAL PERCENTAGE)

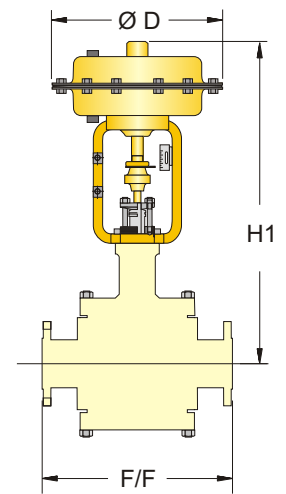


OVERALL DIMENSIONS

VALVE SIZE INCH	STD. ACTUATOR	F/F	HEIGHT (MM)		ØD
			H1	H2	
½, ¾, 1	RM-01	251	523	743	290
	DM-01				
1 ½	RM-11	291	581	805	290
	DM-11				
1 ½	RM-12	291	633	920	380
	DM-12				
2	RM-11	337	581	805	290
	DM-11				
2	RM-12	337	633	920	380
	DM-12				
2 ½	RM-22	420	732	1018	380
	DM-22				
2 ½	RM-23	420	780	1120	452
	DM-23				
3	RM-22	475	769	1055	380
	DM-22				
3	RM-23	475	817	1157	452
	DM-23				
4	RM-22	590	798	1084	380
	DM-22				
4	RM-23	590	846	1186	452
	DM-23				



WITH TOP MOUNTED HANDWHEEL



WITHOUT HANDWHEEL



**UNGGUL
PRAKARSA
PRISMA**

Komplek Ruko Intercon Plaza Blok D No. 9, Jl. Meruya Ilir raya , Srengeseng , Jakarta Barat 11630
Phone : 6221 5890 1302 Email : unggulpp@upp.co.id Web : www.unggulpp.com